

# EX240U

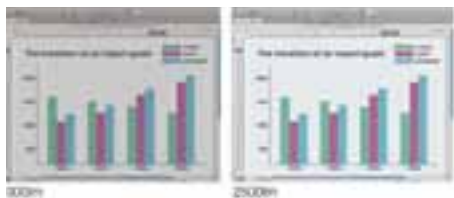
Stylish, compact design,  
packed with functionality...ideal for education



#### Light & compact

##### A light 2.4kg, 2500lm brightness

The EX240U weighs in at 2.4kg for excellent portability, and offers an impressive projection brightness of 2500lm. Whether used in a meeting room or classroom, clear images are reproduced even with ambient light.



#### Network Connectivity

The EX240U is equipped with a built-in LAN(RJ-45) terminal for remote operation when connected to a network. Additionally, when used with Crestron® software, integrated control of up to 250 projectors including power on/off control, message display on multiple projectors and confirmation of lamp service hours is possible using RoomView™/e-Control™ applications.



#### 3D Ready - Enjoy the future today

Experience the impact and allure of 3D images. The 3D video content must be in field sequential format and special electronic shutter glasses are required.



#### Feature Rich

##### • Silent Operation

For distraction free presentations, the EX240U operates at just 29dBA

##### • Wall Screen

Equipped with Wall Screen functionality, this projector can project images onto the most challenging projection surfaces including white-boards, light yellow, blue, light green and pink walls.

##### • Direct Power Off

The direct power off feature allows users to power down quickly and easily without causing damage to the unit, ideal for users on the go!

##### • Top loading lamp

Lamp replacements are made simple with a top-loading access point.

##### • Long 4,000 hour lamp life

By increasing the estimated lamp life, we've reduced maintenance and operating costs.



- Stand-by Mode under 1W
- 2500 ANSI lumens
- Up to 4,000 hour lamp life
- BrilliantColour™ (6 segment colour wheel)
- 18 language on-screen display capable
- Dual RGB Input Terminal



**Brighter display solutions**

**NEW**

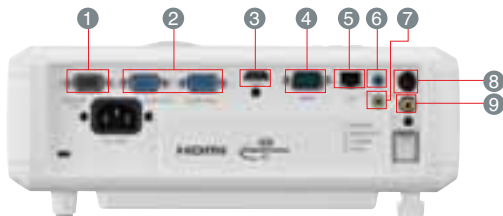


# EX240U

Mobile XGA Projector

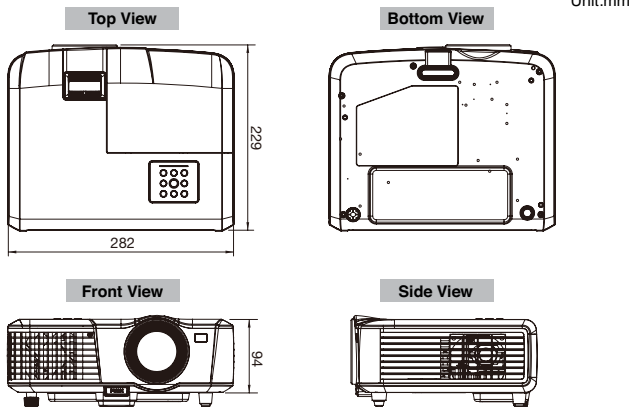
Brilliant Color™	Wall Screen	Password Lock	Direct Power Off	Long-life Lamp	Low Standby Power	Picture Performance
Top Loading Lamp	Low Fan Noise	LAN (RJ-45)	HDMI			User Friendly

## Input and Output Terminals



- 1 Monitor output
- 2 PC/Component video input
- 3 HDMI
- 4 Serial RS-232C
- 5 LAN (RJ-45)
- 6 Audio input
- 7 Audio output
- 8 S-Video
- 9 Video

## Dimensions

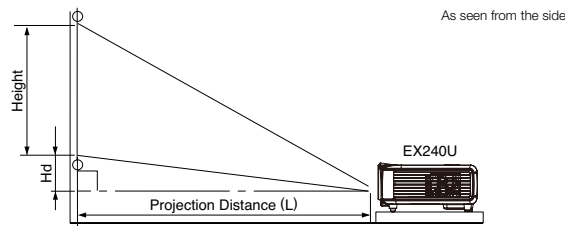


## Specifications

Model	EX240U
Display Technology	0.55" 1-Chip DMD
Resolution	1024 x 768 (Total 786,432 pixels)
Brightness	2500lm
Contrast Ratio	2000 : 1
Picture Size*1	40" - 300"
Throw Ratio*1	1.9 - 2.1
Source Lamp	160W (4000hr*2) with Low Mode, 185W (3000hr*2) with Standard Mode
PC Compatibility	640 x 480 - 1600 x 1200, True : 1024 x 768, Sync on Green available
Video Compatibility	NTSC / NTSC 4.43 / PAL (including PAL-M, N) / SECAM / PAL-60 Component Video : 480i/p (525i/p), 576i/p (625i/p), 720p (750p), 1080i/p (1125i/p 60Hz), 1080i/p (1125i/p 50Hz)
Input Terminals	RGB ; mini D-sub 15pin x 2 Video ; RCA x 1 + S-VIDEO x 1 Digital ; HDMI (Ver1.2) x 1 Audio ; Stereo mini jack (ø3.5mm) x 1
Output Terminals	RGB ; mini D-sub 15pin x 1 Audio ; Stereo mini jack (ø3.5mm) x 1
Communication Terminal	RS-232C; D-Sub 9pin x 1 LAN ; RJ-45 x 1
Speaker Output	2W Mono
Dimensions (W x H x D)	282 x 94 x 229 mm / 11.1 x 3.7 x 9.0 inch (Not including protrusion)
Weight	2.4kg / 5.3lbs
Power Requirements	AC 100-240V, 50/60Hz
Optional Lamp	VLT-EX240LP

• Compliance with ISO21118-2005  
 • All brand names and product names are trademarks, registered trademarks or trade names of their respective holders.  
 \*1: Value may vary a few percent from that listed in the chart.  
 \*2: It's an estimated life time and the lamp is to be shut off upon the arrival. And it's not the time specified in the warranty.  
 \*3: The above numbers are approximate, and may be slightly different from the actual measurements.

## Screen size and Projection distance



### Screen size chart (4:3 aspect ratio)

Screen		Distance from screen (L)				Height projected image (Hd)					
Diagonal Size	Width (W)	Height (H)	Shortest (Wide)	Longest (Tele)							
inch	cm	inch	cm	inch	m	inch	cm				
40	102	32	81	24	61	60	1.5	66	1.7	2	6
60	152	48	122	36	91	90	2.3	99	2.5	4	9
80	203	64	163	48	122	120	3.0	132	3.4	5	12
100	254	80	203	60	152	150	3.8	165	4.2	6	15
150	381	120	305	90	229	225	5.7	247	6.3	9	23
200	508	160	406	120	305	300	7.6	330	8.4	12	30
250	635	200	508	150	381	375	9.5	412	10.5	15	38
300	762	240	610	180	457	450	11.4	-	-	18	46

The above numbers are approximate, and may be slightly different from the actual measurements.

### Screen size chart (16:9 aspect ratio)

Screen		Distance from screen (L)				Height projected image (Hd)					
Diagonal Size	Width (W)	Height (H)	Shortest (Wide)	Longest (Tele)							
inch	cm	inch	cm	inch	m	inch	cm				
40	102	35	89	20	50	66	1.7	73	1.9	6	15
60	152	52	133	29	75	99	2.5	109	2.8	9	22
80	203	70	177	39	100	132	3.4	146	3.7	12	30
100	254	87	221	49	125	166	4.2	182	4.6	15	37
150	381	131	332	74	187	248	6.3	273	6.9	22	56
200	508	174	443	98	249	331	8.4	364	9.3	29	75
250	635	218	553	123	311	414	10.5	455	11.6	37	93
275	699	240	609	135	342	455	11.6	-	-	40	103

The above numbers are approximate, and may be slightly different from the actual measurements.



New publication, effective May 2010 Specifications subject to change without notice.